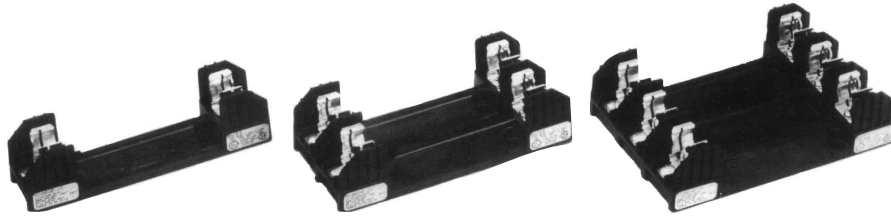


Class H Fuseblocks 250 Volts

H250 Series



Catalog Symbol: H250 Series
 Ampere Rating: 1/10 to 600A
 Voltage Rating: 250V
 Agency Information:
 UL Listed, UL 512, Guide IZLT, File 14853
 CSA Certified, C22.2 No. 39, Class 6225-01, File 47235
 Withstand Rating: 10,000A RMS Sym.
 For use with Class H Fuses (NON and REN)
 UL Flammability: 94VO
 Materials: Thermoplastic

Class H Fuseblocks (250V) Catalog Data (for NON and REN Fuses)

Amps	Poles	Basic Catalog Number	Terminal Type (Suffix No.)									Dimensions (Inches) – See Next Page For Figures										Wire Range	
			Screw			Box Lug w/						Fig. No.	A	B	C	D	E	F	G	H	J Dia. x C' Bore		K
			Clip with Reinforced Spring Pressure Plate	Pressure Plate & Clip with Reinforced Spring	Clip with Reinforced Spring	Clip w/ Reinforced Spring (Copper Only)	Copper Only	0.25" Quick Connect															
1/10 to 30	1	H25030-1	S	SR	P	PR	C	CR	COR	CO	Q	1	(See Figures)										C, CR #2-14 CU, #2-12 AL CO, COR #6-14 CU ONLY P, PR #10-18 CU ONLY Q N/A S, SR #10-18 CU ONLY
	2	H25030-2	S	SR	P	PR	C	CR	COR	CO	Q	2	(See Figures)										
	3	H25030-3	S	SR	P	PR	C	CR	COR	CO	Q	3	(See Figures)										
31 to 60	1	H25060-1	—	—	—	—	C	CR	COR	CO	—	4	4.25	1.73	1.5	1.5	0.5	0.5	0.5	—	0.22 x 0.41	0.27	C, CR #2-14 CU, #2-8 AL CO, COR #2-14 CU ONLY
	2	H25060-2	—	—	—	—	C	CR	COR	CO	—	5			2.81					1.94			
	3	H25060-3	—	—	—	—	C	CR	COR	CO	—	6			4.125					1.31			
61 to 100	1	H25100-1	—	SR	—	—	—	CR	COR	—	—	7	(See Figures)										COR #1/0-8 CU ONLY
	2	H25100-2	—	SR	—	—	—	CR	COR	—	—	8	(See Figures)										CR #1/0-8 CU/AL
	3	H25100-3	—	SR	—	—	—	CR	COR	—	—	9	(See Figures)										SR #8W/ Ring Terminal
101 to 200	1	H25200-1	—	—	—	—	—	CR	—	—	—	10	7.125	3.09	3.0	2.06	0.5	2.0	3.0	0.75	—	0.31	CR 250kcmil-6 CU/AL
	3	H25200-3	—	—	—	—	—	CR	—	—	—	11	(See Figures)										
201 to 400	1	H25400-1	—	—	—	—	—	CR†	—	—	—	10	9.06	4.0	3.0	3.02	0.63	1.75	3.0	1.0	—	0.31	CR 500kcmil-4 CU/AL
	3	H25400-3	—	—	—	—	—	CR†	—	—	—	12	9.06	4.0	4.0	2.50	0.82	9.25	10.88	1.0	—	0.31	
401 to 600	1	H25600-1	—	—	—	—	—	CR	—	—	—	10	11.0	4.97	3.0	4.0	1.125	1.75	4.0	1.00	—	0.31	CR (2) 500kcmil-4/0 CU/AL
	3	H25600-3	—	—	—	—	—	CR†	—	—	—	12	11.0	4.97	5.0	3.0	1.87	11.0	14.74	1.00	—	0.31	

*U.L. Recognized, CSA Certification.
 †No UL, No CSA Certification.

CE CE logo denotes compliance with European Union Low Voltage Directive (50-1000Vac, 75-1500Vdc). Refer to Data Sheet: 8002 or contact Bussmann Application Engineering at 314-527-1270 for more information.

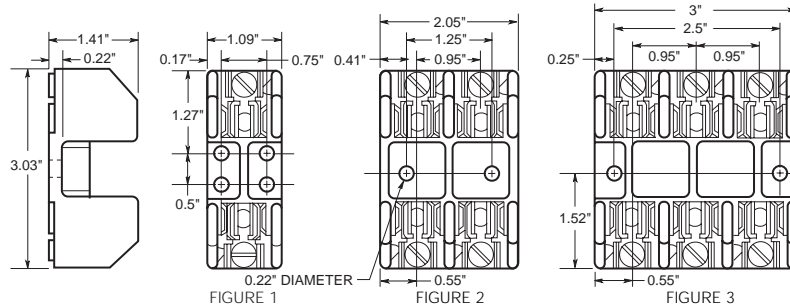
Class H Fuseblocks

250 Volts

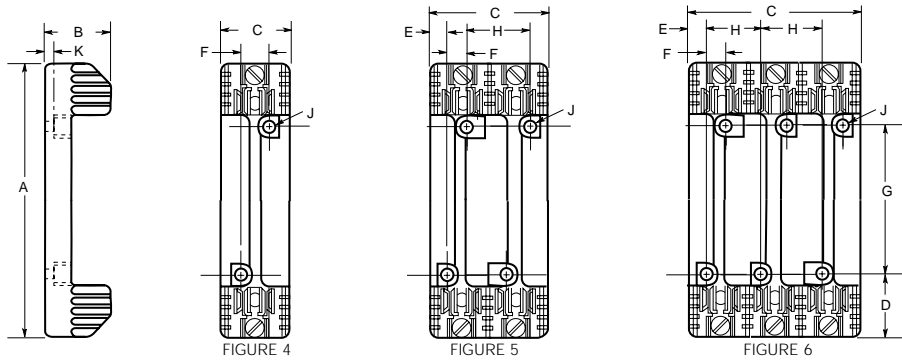
H250 Series

Dimensional Data

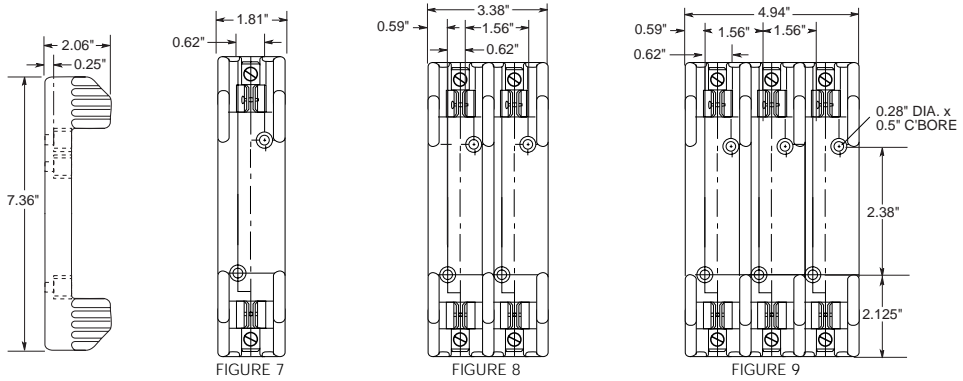
250V, 1/10A to 30A



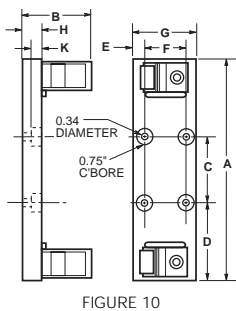
250V, 31A to 60A



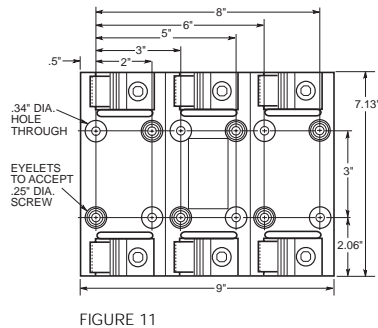
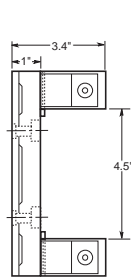
250V, 61A to 100A



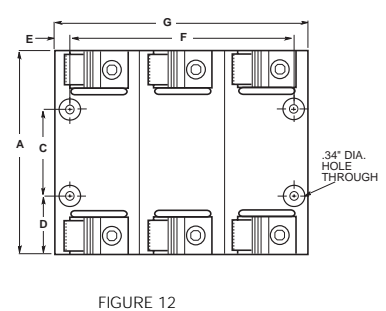
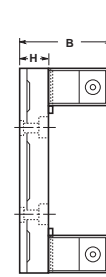
250V, 101A to 600A



250V, 101A to 200A



250V, 201A to 600A



The only controlled copy of this Data Sheet is the electronic read-only version located on the Bussmann Network Drive. All other copies of this document are by definition uncontrolled. This bulletin is intended to clearly present comprehensive product data and provide technical information that will help the end user with design applications. Bussmann reserves the right, without notice, to change design or construction of any products and to discontinue or limit distribution of any products. Bussmann also reserves the right to change or update, without notice, any technical information contained in this bulletin. Once a product has been selected, it should be tested by the user in all possible applications.